

GET-100BF Gravity Hinge

Features

- Outward opening
- Self-opening / closing with gravity mechanism
- Applicable for flat door application
- Able to choose the setting of the hinge for self-opening or self-closing by changing the direction of the bushing

Material

- Stainless steel 304, satin finish

Notes

- 3 pcs in 1 set required for 1 door

Recommended Screw

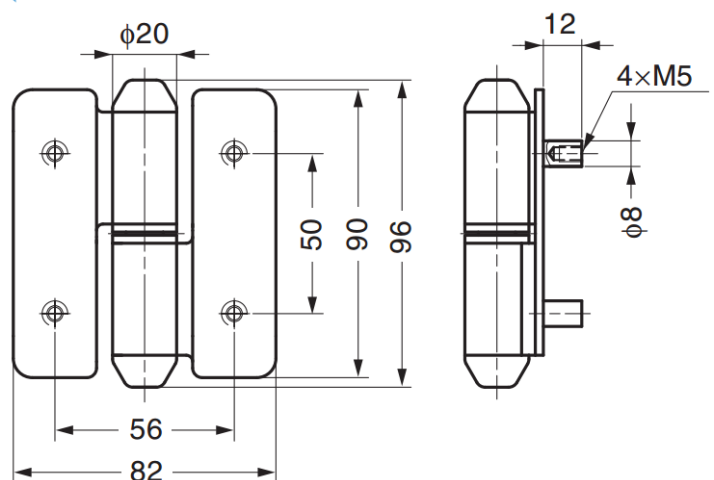
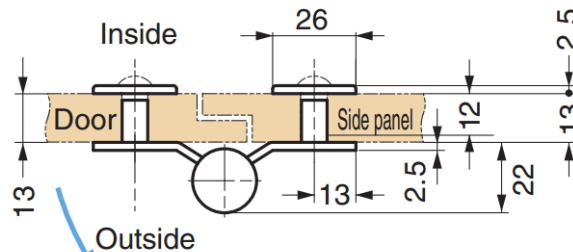
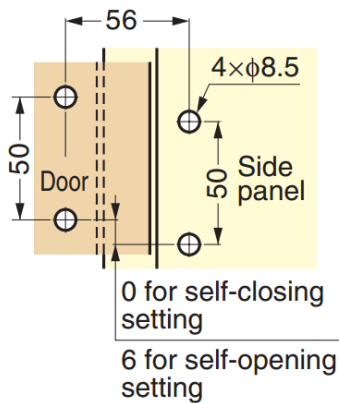
- Hexagon top bolt



GET-100BFR

Door Thickness		Side Panel Thickness		
13	16	13	16	20
M5×10	M5×12	M5×10	M5×12	M5×16

Cut Out Dimensions (at closed position)



Part No.	Type
GET-100BFR	Right
GET-100BFL	Left